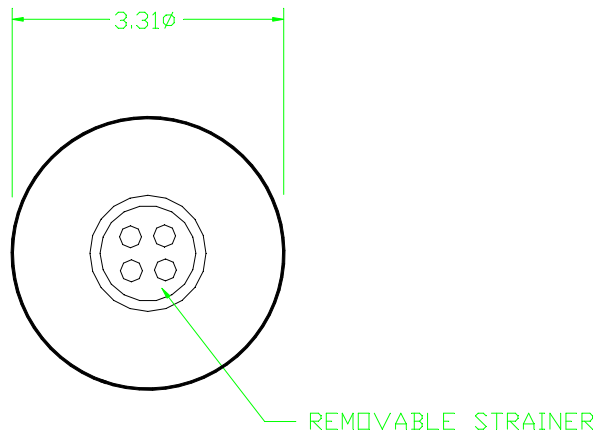
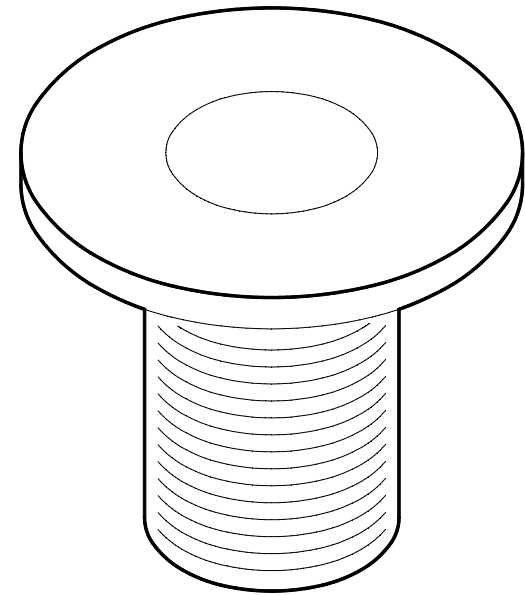


FRONT VIEW



TOP VIEW



ISOMETRIC VIEW

1/2" OUTLET

REV. # \_\_\_\_\_  
DATE: \_\_\_\_\_

SINK	WEIGHT	OUTLET LOCAL.	CODE
SO-3R	.5 LBS	CENTER	SO-3R



Laboratory Tops, Inc.

DATE: 01/25/1  
SCALE: N.T.S.  
DRAWN: KJR  
FILES: SO-3R.D